

Chelan County Public Works Department



REQUEST FOR QUALIFICATIONS (RFQ)

CRP685 Binder and Tigner Road Improvements – Environmental Support

Tigner Road (#28000) MP 0.27 to 0.43

Binder Road (#27860) MP 0.00 to 0.17

ISSUED:

April 14, 2026

STATEMENTS OF QUALIFICATIONS DUE:

4:00 P.M. (PST) May 11, 2026

Table of Contents

1.0	GENERAL INFORMATION	1
1.1	INTRODUCTION.....	1
1.2	PROJECT DESCRIPTION	1
1.3	PROJECT SCOPE	1
2.0	PROCUREMENT PROCESS	3
2.1	EQUAL EMPLOYMENT OPPORTUNITY.....	3
2.2	DISADVANTAGED, MINORITY AND WOMEN'S BUSINESS ENTERPRISES PARTICIPATION	3
2.3	AMERICANS WITH DISABILITIES ACT (ADA) INFORMATION	3
2.4	TITLE VI OF THE CIVIL RIGHTS ACT.....	3
2.5	RESTRICTIONS OF THE USE OF FEDERAL FUNDS FOR LOBBYING	4
2.6	EXAMINATION OF RFQ.....	4
2.7	COMMUNICATIONS.....	4
2.8	CHELAN COUNTY'S RIGHTS	5
3.0	PROPOSAL DELIVERY, CONTENT, FORMAT, AND SUBMITTAL REQUIREMENTS.....	6
3.1	DUE DATE, TIME, AND LOCATION	6
3.2	ORGANIZATION	6
3.3	FORMAT	7
3.4	CONTENT	7
4.0	EVALUATION PROCESS	8
4.1	STATEMENT OF QUALIFICATIONS (SOQ) EVALUATION.....	8
4.2	EVALUATION FACTORS.....	8
4.2.1	EVALUATION CRITERIA: KEY PERSONNEL	8
4.2.2	EVALUATION CRITERIA: PROJECT EXPERIENCE	9
4.2.3	EVALUATION CRITERIA: PROJECT GOALS	10
4.2.4	EVALUATION CRITERIA: PROJECT TEAM.....	10
5.0	PUBLIC RECORDS.....	11

APPENDIX A - Submittal Information Packet Form
APPENDIX B – Preliminary Improvement Layout

1.0 GENERAL INFORMATION

1.1 INTRODUCTION

The Chelan County Public Works Department (CCPW) solicits interest from consulting firms (Proposer) who wish to be evaluated and considered for providing environmental support – specifically Section 7 – Endangered Species Act (ESA) consultation and Section 106 - Cultural Resource assistance for the county’s Binder and Tigner Road Improvement Project, County Road Project No. 685 (CRP685). The duration of the agreement is expected to be approximately two (2) years. This project is funded through Federal Highway Safety Improvement Program (HSIP) and Local Funds. **Firms can solicit interest for either ESA or cultural resource assistance or both.**

Consultants must demonstrate professional capability to perform the tasks assigned, and at a minimum, must have professional and business licenses required by the State of Washington and a demonstrable expertise in the disciplines necessary to accomplish the services.

The project must comply with all Federal EEO requirements, ADA, and Civil Rights regulations and requirements applicable to the County. Consultant services will be completed in accordance with Federal and State Law. No (0%) mandatory Disadvantaged Business Enterprises (DBE) goal has been assigned for this project.

1.2 PROJECT DESCRIPTION

This project will improve Binder Road and Tigner Road, both Rural Major Collectors, that serve as the main access to the southern access to Cashmere Middle School and High School. The project will start southern Cashmere City limit and extend 1,000-feet south.

The project’s primary purpose is to install shoulders, sidewalk, midblock crossing, and improve intersection angle. To minimize impacts to steep slopes and right of way, gravity retaining walls may be required. In addition, new drainage structures will be constructed to treat and convey stormwater through the project and connect to the City’s existing system at Glenn Street.

1.3 PROJECT SCOPE

This project scope consists of the following work:

- 1) Completing a cultural resource assessment under Section 106 of the National Historic Preservation Act, including background and field investigations and documented in technical memorandum. Right of way acquisition is necessary for this project, and as a result, a built environment survey is also required to determine eligibility on the Washington Heritage Register with the Department of Archaeology and Historic Preservation (DAHP).
- 2) Prepare a Biological Assessment report for consultation under Section 7 of the Endangered Species Act.

The County anticipates the project to be complete up to 90% design by the end of 2027 in order to complete construction by the end of summer 2028.

2.0 PROCUREMENT PROCESS

2.1 EQUAL EMPLOYMENT OPPORTUNITY

Discrimination in all phases of contracted employment, consultant activities, contracting activities, and training is prohibited by Title VI of the Civil Rights Act of 1964, Section 162(a) of the Federal-Aid Highway Act of 1973, Section 504 of the Rehabilitation Act of 1973, the Age Discrimination Act of 1975, the Justice System Improvement Act of 1979, the Americans with Disabilities Act of 1990, the Civil Rights Restoration Act of 1987, 49 CFR Part 21, the Washington State Law Against Discrimination, RCW 49.60, and other related laws and statutes. The referenced legal citations establish the minimum requirements for affirmative action efforts and define the basic nondiscrimination provisions required by this RFQ.

2.2 DISADVANTAGED, MINORITY AND WOMEN'S BUSINESS ENTERPRISES PARTICIPATION

Chelan County encourages participation in all of its contracts by Disadvantaged, Minority and Women's Business Enterprises (MWBE) as certified by the Office of Minority and Women's Business Enterprises (OMWBE) and defined in WAC 326-02-030. Nevertheless, unless required by federal law, no preference will be given for meeting voluntary goals for MWBE participation in the evaluation of Proposals; and Proposals will not be rejected or considered non-responsive due to a failure to meet voluntary goals. Bidders may contact OMWBE to obtain information on certified MBE/WBE firms.

Persons with disabilities may request this information be prepared and supplied in alternate formats by calling (509) 667-6415.

2.3 AMERICANS WITH DISABILITIES ACT (ADA) INFORMATION

Chelan County in accordance with Section 504 of the Rehabilitation Act (Section 504) and the Americans with Disabilities Act (ADA), commits to nondiscrimination on the basis of disability, in all of its programs and activities. This material can be made available in an alternate format by emailing Jason Detamore at Jason.Detamore@co.chelan.wa.us or by calling (509) 667-6415.

2.4 TITLE VI OF THE CIVIL RIGHTS ACT

The Chelan County, in accordance with the provisions of Title VI of the Civil Rights Act of 1964 (78 Stat. 252, 42 U.S.C. 2000d to 2000d-4) and the Regulations, hereby notifies all bidders that it will affirmatively ensure that in any contract entered into pursuant to this advertisement, disadvantaged business enterprises will be afforded full and fair opportunity to submit bids in response to this invitation and will not be discriminated against on the grounds of race, color, or national origin in consideration for an award.

The contractor, subrecipient, or subcontractor shall not discriminate on the basis of race, color, national origin, or sex in the performance of this contract. The contractor shall carry out applicable requirements of 49 CFR Part 26 in the award and administration of USDOT-

assisted contracts. Failure by the contractor to carry out these requirements is a material breach of this contract which may result in the termination of this contract or such other remedy as the recipient deems appropriate, which may include, but is not limited to: (1) Withholding monthly progress payments; (2) Assessing sanctions; (3) Liquidated damages, or (4) Disqualifying the contractor from future bidding as non-responsible.

2.5 RESTRICTIONS OF THE USE OF FEDERAL FUNDS FOR LOBBYING

Section 319 of Public Law 101-121 prohibits federal funds from being expended by consultants or subconsultants who receive a federal contract, grant, loan, or cooperative agreement to pay, any person for influencing or attempting to influence a federal Agency or Congress in connection with awarding any of the above.

2.6 EXAMINATION OF RFQ

Each Proposer must be solely responsible for reviewing and examining the RFQ, with appropriate care, including any supplements; addenda; clarification notices issued by Chelan County; and investigating and informing itself of any and all Project conditions and circumstances that may in any way affect the contents of the Proposal. The Proposer bears the risk of all consequences of any failure to thoroughly investigate all relevant Project and Project site conditions and circumstances as described herein.

2.7 COMMUNICATIONS

Chelan County's Representative for receiving Proposer questions and all other communications about the Project and the RFQ is as follows:

Jason Detamore
Chelan County Public Works
316 Washington Street, Suite 402
Wenatchee, WA 98801
Phone: (509) 667-6415
Email: Jason.Detamore@co.chelan.wa.us

All discussions must be with the County Representative except for those communications permitted by the RFQ. Proposals must be submitted to Jason Detamore in accordance with Section 3 of this RFQ.

Any response to questions, RFQ clarifications, and/or other such information between April 14 and May 11, can be found at <https://www.co.chelan.wa.us/public-works/pages/consultants-and-small-works> It is recommended the Proposer visits the site before submitting the RFQ.

2.8 CHELAN COUNTY'S RIGHTS

Chelan County reserves the right, at its sole discretion, to:

- Appoint evaluation committees to review Proposals;
- Investigate the qualifications of any Proposer;
- Seek or obtain data from any source related to the Proposals;
- Require confirmation of information furnished by a Proposer;
- Hold meetings and conduct discussions and correspondence with the Proposers to seek an improved understanding and evaluation of the responses to this RFQ;
- Require additional information from a Proposer concerning its Proposal;
- Seek and receive clarifications to a Proposal;
- Require additional evidence of qualifications to perform the Work;
- Modify the RFQ process;
- Waive minor deficiencies and irregularities in a Proposal;
- Reject any or all of the Proposals;
- Cancel, modify, or withdraw the RFQ;
- Issue a new RFQ;
- Conduct negotiations with the Apparent Best Proposer prior to award of the Contract; and
- Cancel a Contract signed by the Apparent Best Proposer but not yet executed by Chelan County.

The RFQ does not commit Chelan County to enter into a Contract or proceed with the procurement described herein. An unsuccessful Proposer is not entitled to reimbursement of its costs in connection with the RFQ, nor will Chelan County reimburse an unsuccessful Proposer for any cost in connection with the RFQ.

3.0 PROPOSAL DELIVERY, CONTENT, FORMAT, AND SUBMITTAL REQUIREMENTS

3.1 DUE DATE, TIME, AND LOCATION

Proposals must be submitted via email to the following contact prior to **4:00 p.m. Pacific Time, on May 11, 2026**. Proposers must send one (1) digital copy (PDF format) of their Statement of Qualifications (SOQ) to:

Jason Detamore
Chelan County Public Works
316 Washington Street, Suite 402
Wenatchee, WA 98801
Phone: (509) 667-6415
Email: Jason.Detamore@co.chelan.wa.us

The subject line of the email must read “**SOQ for CRP685 Binder and Tigner Road Improvements Project**”. The body of the email must list the Proposer and a brief description of the attachments included in the email.

Chelan County will not accept hard copies of the Proposals nor Proposals by facsimile. Any Proposal that fails to meet the deadline or delivery requirement will be rejected without having been considered or evaluated.

3.2 ORGANIZATION

The Proposer must organize the SOQ using the following section headings, order of documents, and maximum number of pages:

Table 3.1

Section	Section Title and Required Information	Maximum Pages
1	Introduction Letter	2
2	Key Personnel	4
3	Project Experience	4
4	Project Goals	3
5	Project Team	4
Appendix A	Submittal Information Form	1
Appendix B	Resume of Key Personnel (limit of 2 pages per person)	2/person

Failure to comply with these requirements may result in rejection of the SOQ.

3.3 FORMAT

All information in the Proposal must be submitted on the equivalent of 8.5-inch by 11-inch paper, except charts, exhibits, and other illustrative and graphical information, which may be submitted on the equivalent of 11-inch by 17-inch paper. Each of these 11-inch by 17-inch pages will count as one page in the narrative Proposal unless otherwise noted in this RFQ. Any plan sheets in the Proposal will not count toward the page limit. Covers, divider pages, and appendices are not included in the page limitations. Pages may be printed double-sided and are counted as two pages for the page limitations presented in this Section. Text for the Proposal narrative technical sections must use Times New Roman font, 12-point type. Text, charts, tables, graphical information, or other substantive content must not be printed within 0.75 inch of any page edge. Any other materials must be presented with a readable format. The organization chart must be readable and all dimensional information provided in the Proposal must be in English units.

3.4 CONTENT

This section outlines the general requirements of each section of the Proposer's SOQ. For specific requirements and how each section will be scored, refer to Section 4.0.

The Proposer will be deemed non-responsive and will not be eligible for consideration of this work if the following SOQ requirements are not met:

- "SOQ for CRP685 Binder and Tigner Improvement Project" on the cover of the submittal and the Introduction Letter;
- Introduction Letter;
- Completed Submittal Information Packet form (under Appendix A in this RFQ);
- Responsiveness to all evaluation criteria;
- Meeting page limitations and font size requirements; and
- Meeting submittal due date, time, and location.

4.0 EVALUATION PROCESS

4.1 STATEMENT OF QUALIFICATIONS (SOQ) EVALUATION

This section outlines the specific requirements of each section of the SOQ and how each section will be scored. If the information provided for an evaluation factor is not complete, then the Proposer may be eliminated from further consideration. Scoring will be based on not only how well the SOQ responds to the requirements described in Section 3, the Project goals, but also from information collected from references. Past performance track records will be weighted in the scoring. Chelan County reserves the right to contact references on individuals and projects other than those identified by the Proposers to evaluate past performance.

A summary of the points for each section of the SOQ is as follows:

Table 4.1

Section	Section Title	Points
1	Introduction Letter	Pass/Fail
2	Key Personnel	20
3	Project Experience	30
4	Project Goals	20
5	Project Team	30
Appendix A	Submittal Information Form	Pass/Fail
Appendix B	Resumes	Pass/Fail
Total		100

4.2 EVALUATION FACTORS

Numerical scores will be assigned by a Chelan County Evaluation Committee to the evaluation categories shown in Table 4.1.

If a Proposer receives a passing score on all pass/fail evaluation factors, its SOQ will be further evaluated using the scoring criteria. If a Proposer fails on any single pass/fail requirement, the SOQ may be rated as unacceptable, in which case the evaluation factors will not be scored, and the Proposer will not be included on the short-list.

4.2.1 EVALUATION CRITERIA: KEY PERSONNEL

This section will be evaluated based on the following:

- Key Personnel should have a track record of demonstrating good leadership skills;
- A project manager with experience and expertise to lead and manage the delivery of the project;
- The ability to work well with all levels on a project;

- The successful completion of projects as complex as or more complex than this Project (Past performance records of Key Personnel may be checked by contacting references);
- Key Personnel who can bring forth the best Project team;
- Demonstrate the Key Personnel's ability to meet the Project goals; and
- Licensure/certification as required for the applicable position, design work, and task performed.

4.2.2 EVALUATION CRITERIA: PROJECT EXPERIENCE

The Project Experience for the **Section 7 – Endangered Species Act** portion will be evaluated based on the Proposer's experience with the following:

- Projects at similar levels of complexity within the past ten years (experience on WSDOT or local agency projects are preferred);
- Knowledge of development and implementation of an environmental program that ensures compliance with permitting and environmental standards;
- Experience with the following publications:
 - Washington State Department of Transportation (WSDOT) *Biological Assessment Preparation Manual*; and
 - WSDOT *Standard Specifications for Road, Bridge, and Municipal Construction*
- In depth knowledge of the NEPA and the Endangered Species Act as it relates to transportation projects;
- Meet WSDOT's BA author qualification requirements;
- Be on the current WSDOT prequalification roster; and
- Performing any or all of the following tasks:
 - Preparation of No Effect Letters, Biological Assessments, and Biological Evaluations;
 - Prepare a draft report for review then a final report;
 - Serve as advisor to the County for interaction with the National Oceanic Atmospheric Administration (NOAA) Fisheries, U.S. Fish and Wildlife Services (USFWS), Washington Department of Fish and Wildlife, and WSDOT; and
 - Review and analyze contractor proposed construction methods for constructability and adequacy and identify potential problem areas that should be investigated in detail.

The project experience for the **Section 106 – Cultural Resource** portion will be evaluated based on the Proposer's experience with the following:

- Projects at similar levels of complexity within the past ten years (experience on WSDOT or local agency projects are preferred);
- A good working relationship with the Department of Archaeology and Historic Preservation (DAHP) and local tribes, experience writing technical memorandums, and knowledge of the Section 106 process;
- Meets the Secretary of the Interior's Professional Qualification Standards;

- Knowledge of development and implementation of an environmental program that ensures compliance with permitting and environmental standards;
- Knowledge of the NEPA process as it relates cultural resources for transportation projects;
- Performing any or all of the following tasks:
 - Preparation cultural resource technical memorandums/reports;
 - Prepare a draft report for review then a final report;
 - Serve as advisor to the County for interaction with the WSDOT; DAHP, and local Tribes; and
 - Review and analyze contractor proposed construction methods for constructability and adequacy and identify potential problem areas that should be investigated in detail.

4.2.3 EVALUATION CRITERIA: PROJECT GOALS

Chelan County has established the following Project goals:

- Widen the existing roadway to improve pedestrian and bicycle access and use;
- Minimize Right of Way impacts by utilizing cost effective solutions;
- Project delivery (on time, on budget, quality products and services);
- Protection of the environment;
- Continuous effective and transparent communication; and
- Minimize inconveniences to the public and adjacent properties during construction balanced with cost effective construction methods.

4.2.4 EVALUATION CRITERIA: PROJECT TEAM

The Proposer must demonstrate how the project team members, including sub-consultants, will form a diverse professional team by describing the team members rolls and task(s) and how they will work together to deliver the project on-time.

5.0 PUBLIC RECORDS

Any information contained in the Proposer's response that is proprietary or confidential must be clearly designated. Marking the entire response as proprietary or confidential may cause the County to deem the Proposer as non-responsive.

Materials submitted in response to this competitive procurement shall become the property of Chelan County and will not be returned. To the extent consistent with Chapter 42.56 RCW, the Public Disclosure Act, Chelan County shall maintain the confidentiality of the Consultant's information marked confidential or proprietary. If a request is made to view the Consultant's proprietary information, Chelan County will notify the Consultant of the request and of the date that the records will be released to the requestor unless the Consultant obtains a court order enjoining that disclosure. If the Consultant fails to obtain the court order enjoining disclosure, Chelan County will release the requested information on the date specified.



APPENDIX A

Submittal Information Form

Project Name:	CRP685 – Binder and Tigner Improvement Project
---------------	--

Firm Name:		
Address:		
City, State, Zip:		
Phone:	Fax:	Company Web Site:
Fed. Tax ID Number:	Unified Business Identifier Number:	D/M/WBE Certification Number:
Year Firm Established:	SIC Code (Name):	NAICS Code (Name):
Contact Person Regarding This Submittal's Information:		

Firm Type:

- Sole Proprietor
 Partnership
 C – Corp.
 Limited Partnership
 Subchapter S Corp.
 Limited Liability Company

Annual Gross Receipt:

- \$0 to \$1 Million
 \$1 Million to \$5 Million
 \$5 Million to \$10 Million
 \$10 Million to \$15 Million
 over \$15 Million

Services Offered (check all that apply):

- | | |
|--|---|
| <input type="checkbox"/> Right-of-Way Appraisal | <input type="checkbox"/> Structural Engineering |
| <input type="checkbox"/> Right-of-Way Acquisition Negotiation | <input type="checkbox"/> Traffic & Transportation Engineering |
| <input type="checkbox"/> Environmental & Biological Assessment | <input type="checkbox"/> Hydrology/Hydraulic Engineering |
| <input type="checkbox"/> Geotechnical Engineering | <input type="checkbox"/> GIS |
| <input type="checkbox"/> Construction Inspection | <input type="checkbox"/> Material Sampling & Testing |

Other Services (please specify): _____

Note:

Firm Name: Please ensure that the firm name listed is the same that is legally assigned to the federal tax ID number. Please do not use: DBA's – Doing Business As; Combination names when two firms are working together; derivatives of your legal name; Acronyms; etc

Unified Business Identifier (UBI) Number: If your firm does not have a UBI number for Washington State, please put pending in the box. You will be required to acquire a UBI number if you are awarded the contract



APPENDIX B



Chelan County Public Works Department



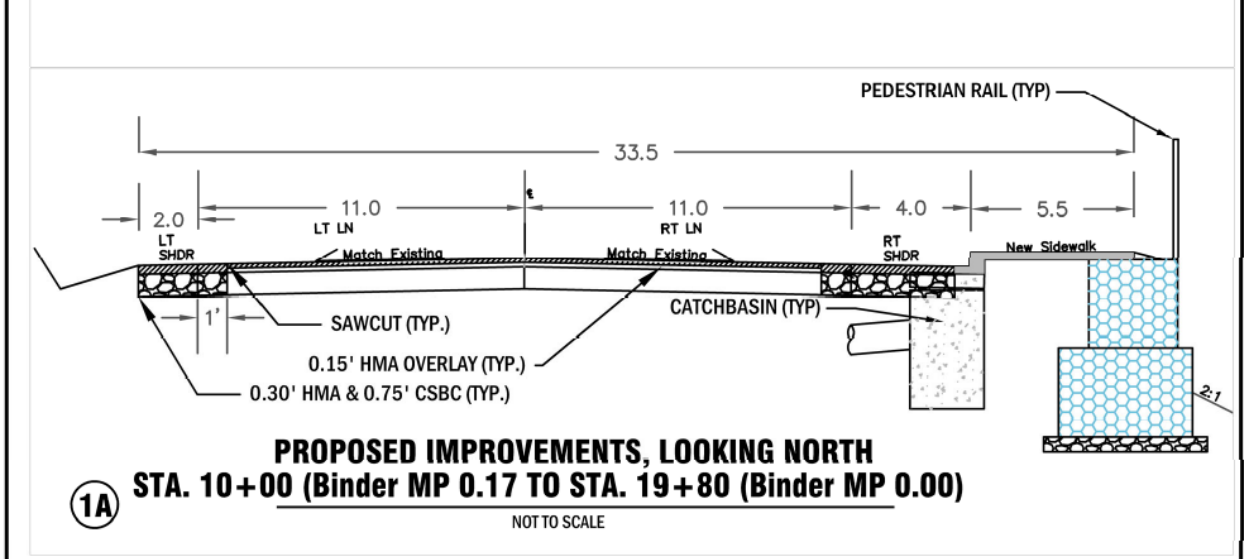
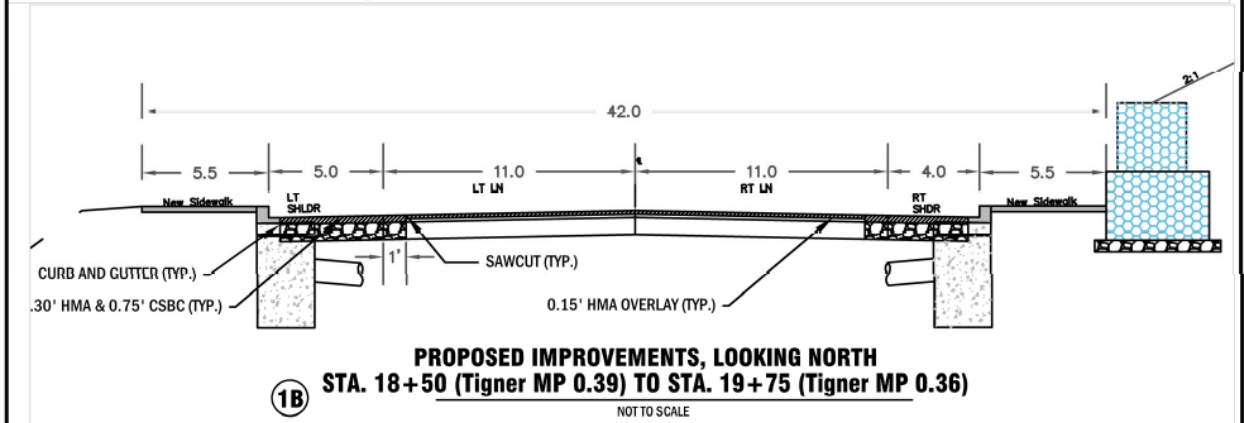
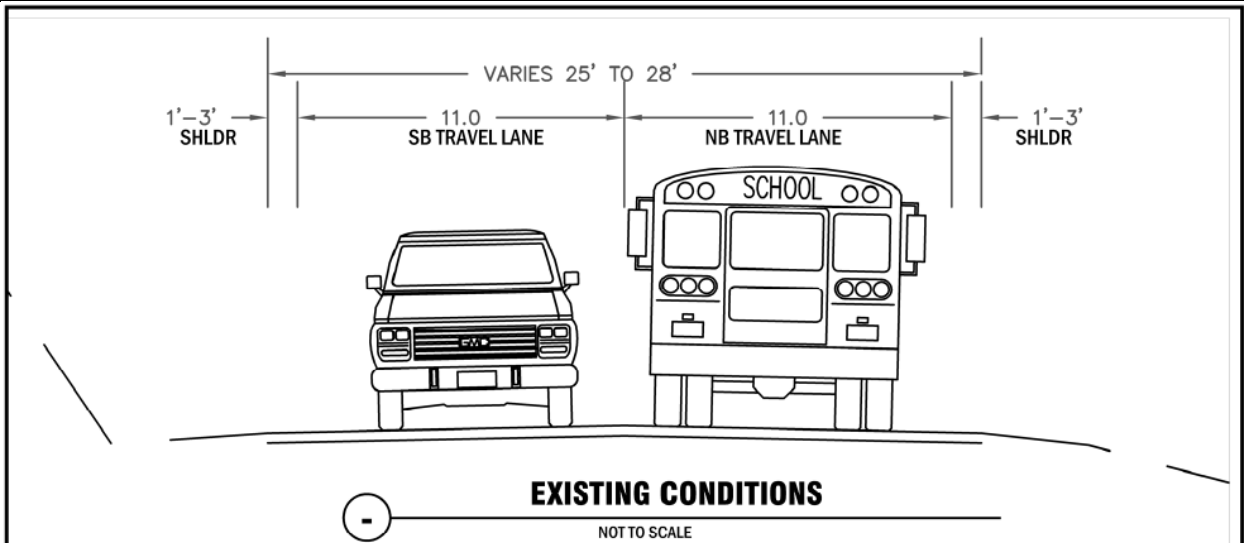
PROJECT NAME	INTEGRATED TRANSPORTATION IMPROVEMENTS PROJECT
DESIGNED BY	CH2M HILL
CHECKED BY	CH2M HILL
DRAWING NO.	22022025
DATE	02/20/2025
SCALE	AS SHOWN



Chelan County Public Works Department
 316 Washington Street, Suite 404
 Wenatchee, Washington, 98801
 509-665-4444
 www.chelan.gov

BINDER/IGNER
 Road Improvement Project
 PRELIMINARY PLAN LAYOUT

C.R.P. 685
 2025 INC. SHEET NO. A 2 2



Chelan County
 Public Works Department
 316 Washington Street, Suite 402
 Wenatchee, Washington, 98801
 Phone: (509) 667-6415
 Website: www.co.chelan.wa.us



Binder & Tigner Rd Improvements
HSIP Funded
TYPICAL SECTIONS

Date: 8/19/2025

CRP 685

Sheet 1 of 1